


# ASM1351 Bus Power 2.5" Size Schematics

## Revision 0.2

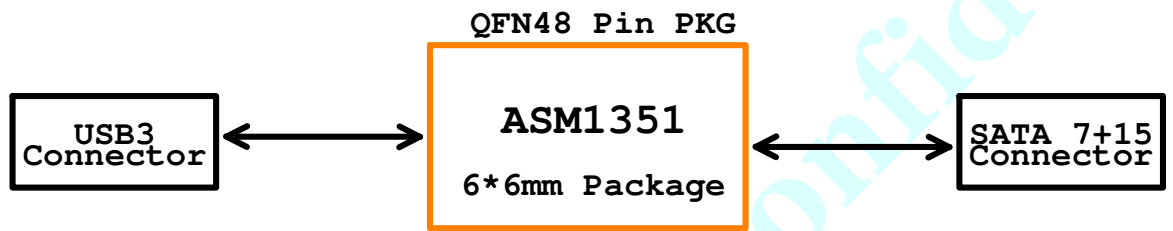
<b>TITLE</b>	<b>SHEET</b>
COVER SHEET	1
BLOCK DIAGRAM	2
ASM1351	3

asmedia confidential



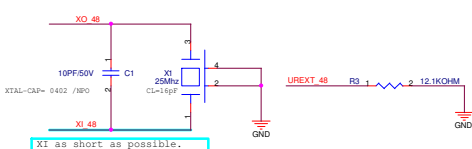
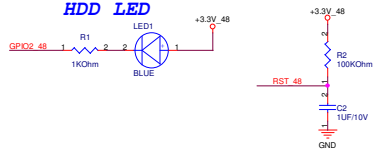
ASMEDIA TECHNOLOGY INC

Title COVER SHEET		
Size C	Document Number <Doc>	Rev 0.2
Date: Wednesday, September 03, 2014 Sheet 1 of 3		

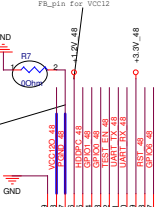
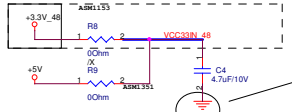
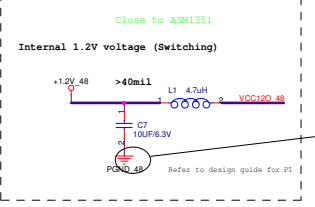
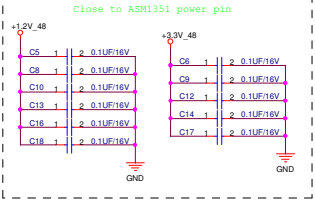
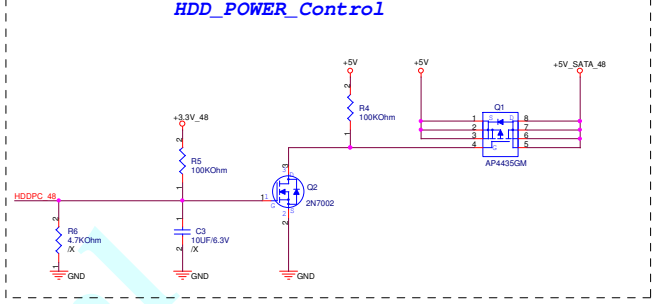


asmedia Confidential

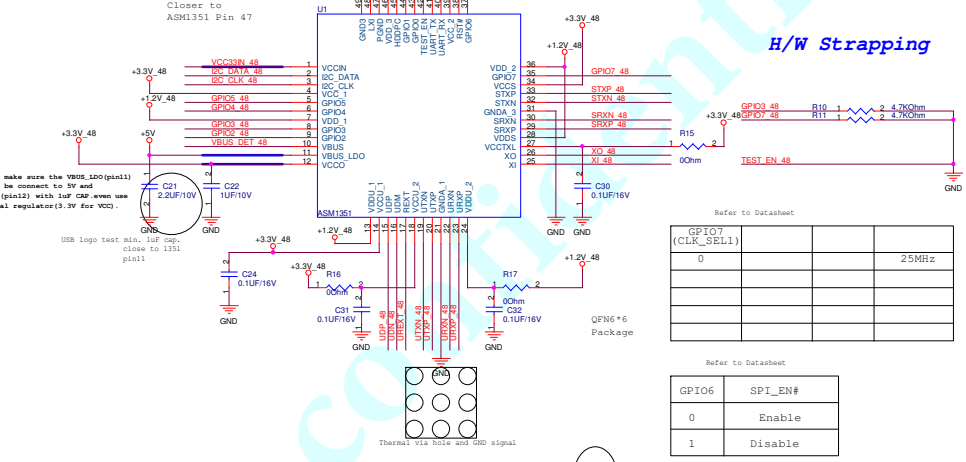
### HDD\_LED



### HDD\_POWER\_Control



### H/W Strapping



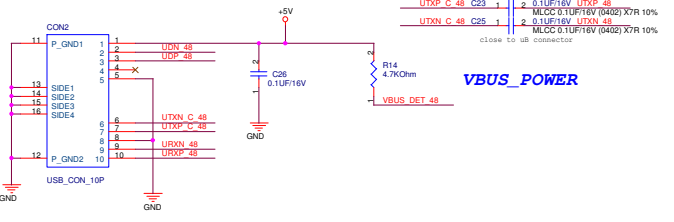
Refer to Datasheet

GPIO7 (CLK_SELL)	Value
0	25MHz

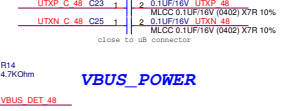
Refer to Datasheet

GPIO6	SPI_EN#
0	Enable
1	Disable

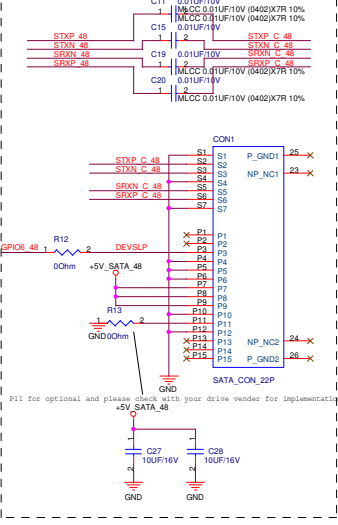
### USB3\_DEVICE (Diff. Z = 80 ohm)



### VBUS\_POWER



### SATA\_HOST (Diff. Z = 90 ohm)



P11 for optional and please check with your drive vendor for implementation

### SPI ROM (5 MHz)

