


Revision History

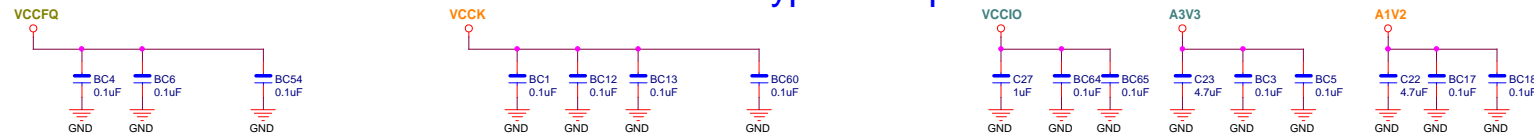
Model: SM2258XT-G144_2P5_G152X16_DB

Revision	Date	Reason for redrawing	Page Update	Drawed	Checked	Approved
01A	1102Y15	Preliminary	--	Eason Chang	Austin Lin	

Page1	Cover_Page
Page2	Controller_BGA144_2.5INCH
Page3	Power_Host_5V
Page4	NF_BGA152x8 (CH0, CH1)
Page5	NF_BGA152x8 (CH2, CH3)
Page6	Flash Mounting Guide

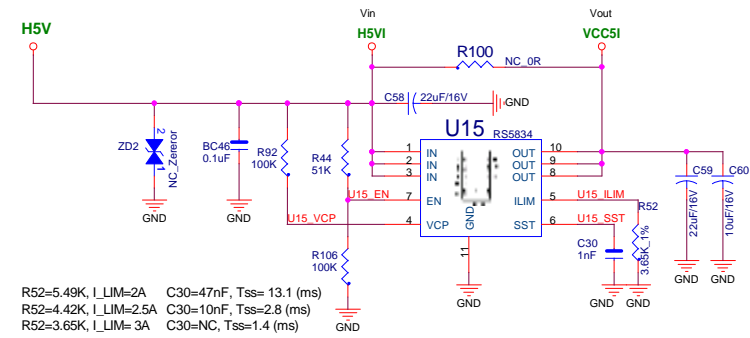
 Silicon Motion, INC.	
PageTitle	Cover Page
DOC.Number	<Doc>
Sch.FileName	SM2258XT-AA-G144_2p5_G152X16_D2_DB_V01
Date:	Friday, July 14, 2017
Rev	01A
Sheet	1 of 7

SM2258 Bypass Capacitors



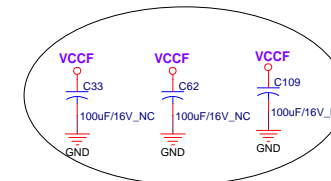
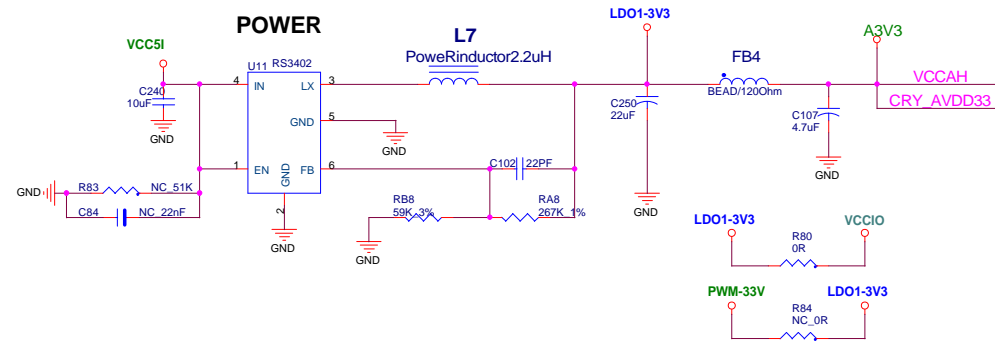
A3V3= 3.0 / 3.3 / 3.6 (V) For AIP power
 A1V1=VDDTX_PHY=VDDR_X_PHY= 1.1(V) For AIP power
 VCCCK = 1.1 (V) For SM2258AA core power
 VCCIO = 3.3 / 1.8 (V) For General IO power
 VCCF = 3.3 (V) For NAND flash Core Power
 VCCFQ = 3.3 / 1.8 (V) For NAND flash IO Power

OVP Circuit

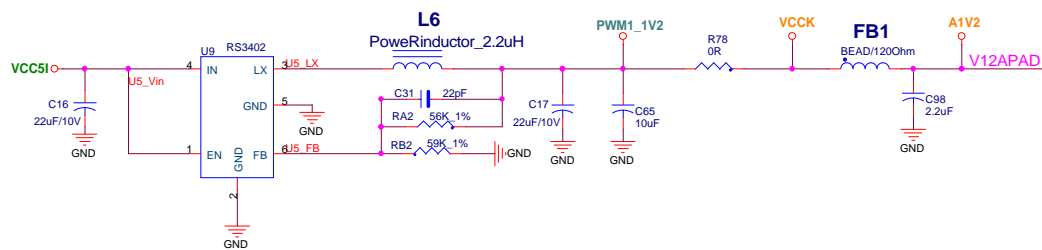


R52=5.49K, I_LIM=2A C30=47nF, Tss= 13.1 (ms)
 R52=4.42K, I_LIM=2.5A C30=10nF, Tss=2.8 (ms)
 R52=3.65K, I_LIM= 3A C30=NC, Tss=1.4 (ms)

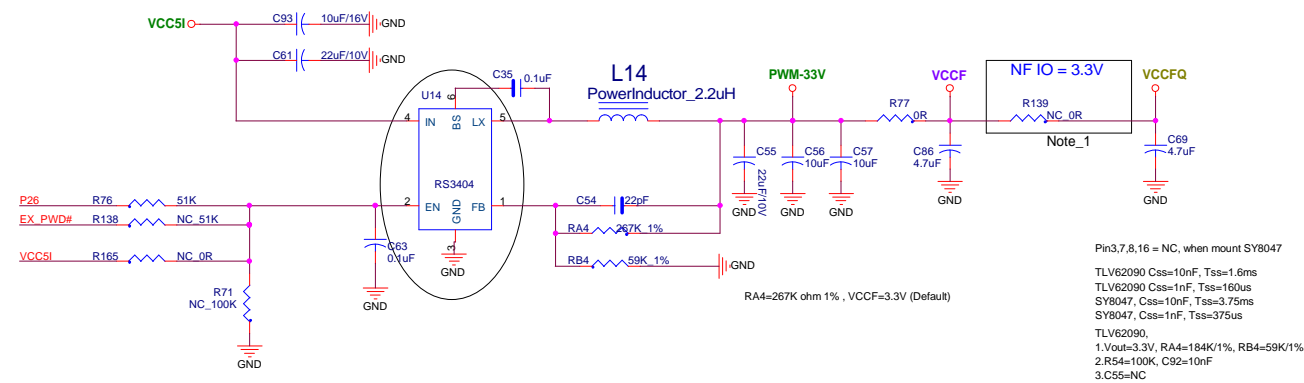
LDO_1: Analog Power 3.3V



PWM_1 for VCCCK/A1V1 1.1V

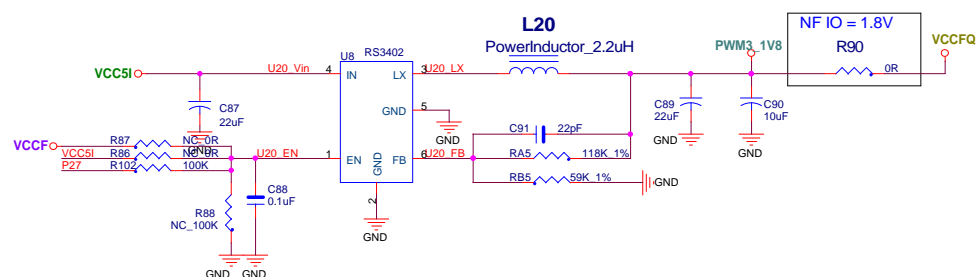


PWM_2 for Flash Die Power 3.3V



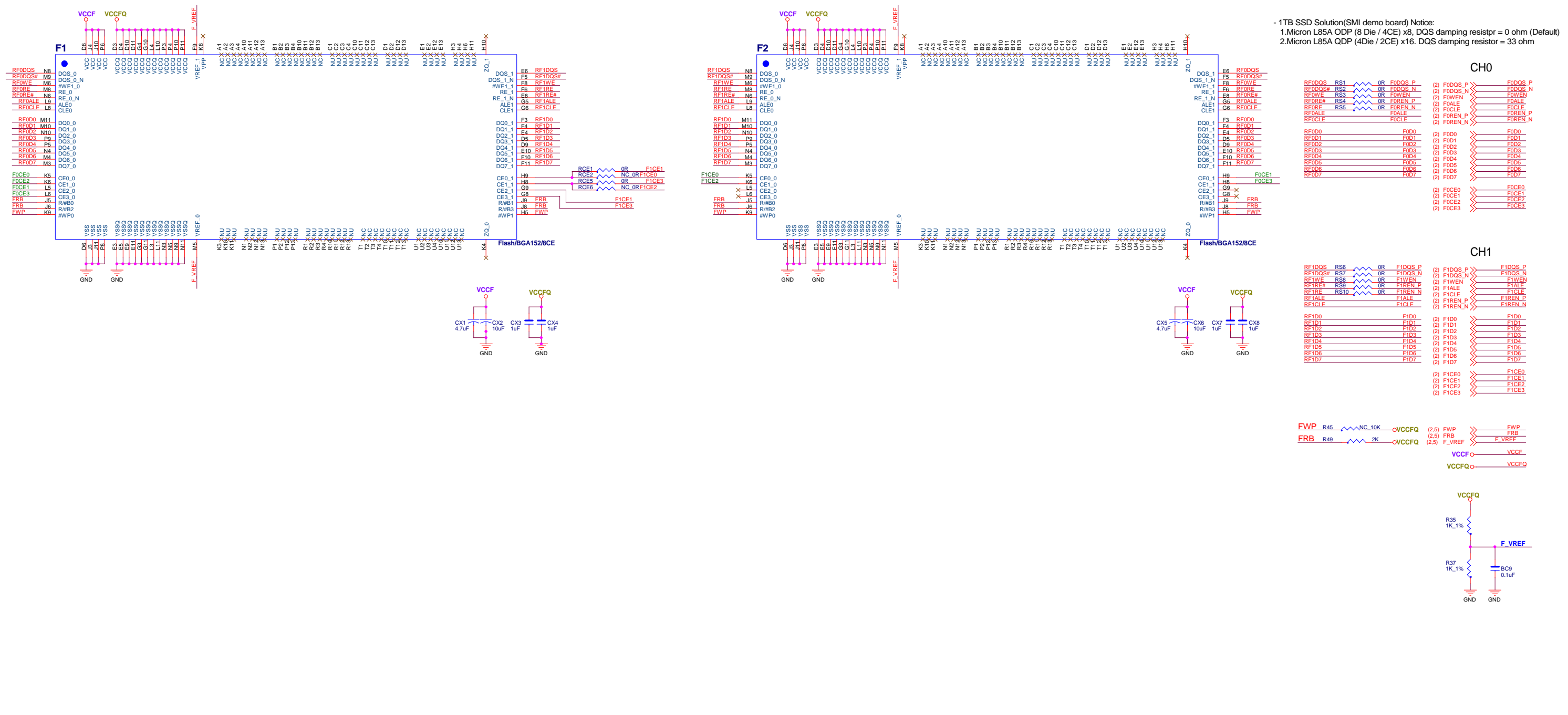
Pin3,7,8,16 = NC, when mount SY8047
 TLV62090 C_{ss}=10nF, T_{ss}=1.6ms
 TLV62090 C_{ss}=1nF, T_{ss}=160us
 SY8047, C_{ss}=10nF, T_{ss}=3.75ms
 SY8047, C_{ss}=1nF, T_{ss}=375us
 TLV62090
 1.V_{out}=3.3V, R_{A4}=184K/1%, R_{B4}=59K/1%
 2.R₅₄=100K, C₉₂=10nF
 3.C₅₅=NC

PWM_3 for Flash I/O Power 1.8V

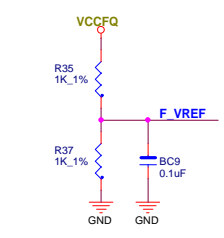
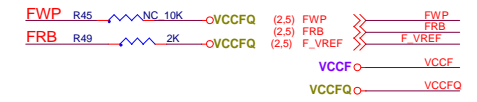
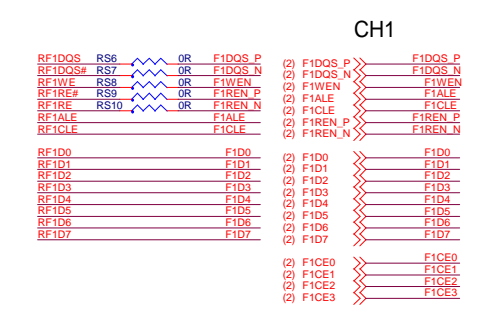
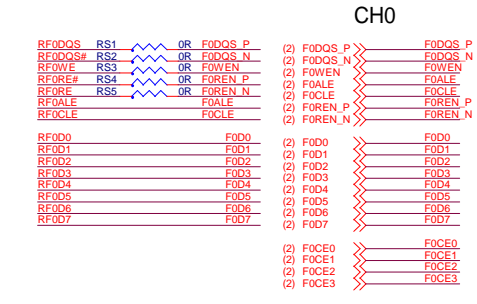


- (2) P26 >> P26
- (2) P27 >> P27
- (2) EX_PWD# >> EX_PWD#
- H5V >> H5V
- H5VI >> H5VI
- VCC5I >> VCC5I
- VCCF >> VCCF
- VCCFQ >> VCCFQ
- VCCIO >> VCCIO
- A3V3 >> VCCA
- >> CRY_AVDD33
- VCCCK >> VCCCK
- A1V2 >> V12APAD

Channel 0 & 1



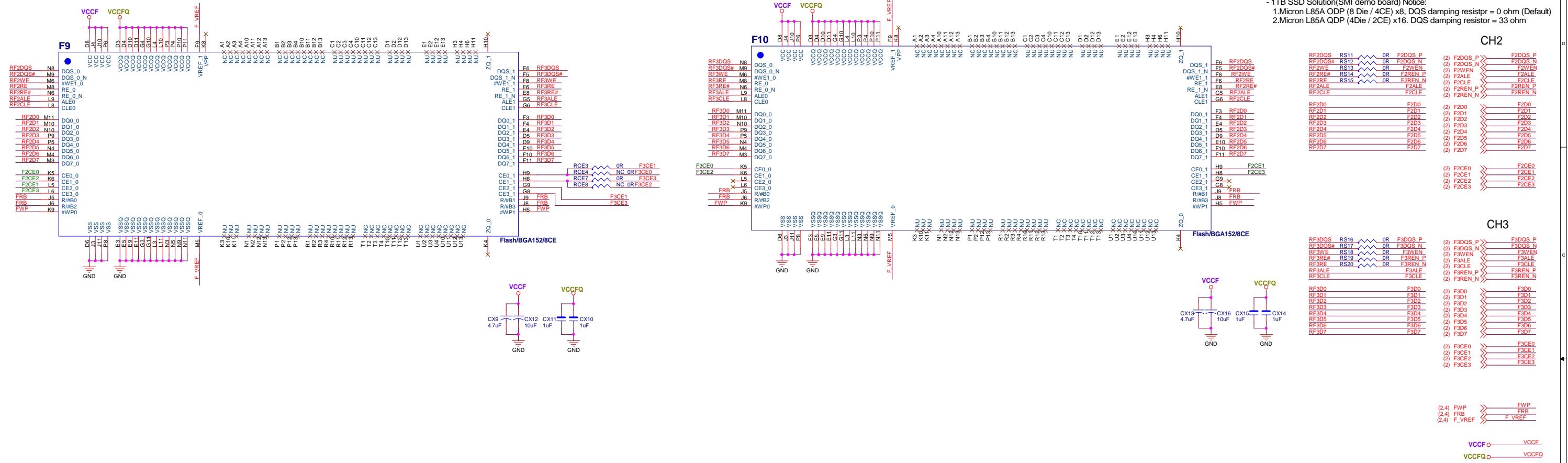
- 1TB SSD Solution(SMI demo board) Notice:
 1.Micron L85A ODP (8 Die / 4CE) x8. DQS damping resistor = 0 ohm (Default)
 2.Micron L85A QDP (4Die / 2CE) x16. DQS damping resistor = 33 ohm



Silicon Motion, INC.
 Page Title: NF_BGA152x8 (CH0, CH1)
 DOC Number: <Doc>
 Sch.FileName: SM2258XT-AA-G144_2p5_G152X16_D2_DB_V01
 Date: Friday, July 13, 2017
 Sheet: 4 of 7
 Rev: 01A

Channel 2 & 3

- 1TB SSD Solution(SMI demo board) Notice:
 1.Micron L85A QDP (8 Die / 4CE) x8. DQS damping resistor = 0 ohm (Default)
 2.Micron L85A QDP (4Die / 2CE) x16. DQS damping resistor = 33 ohm



Silicon Motion, INC.

Page Title: NF_BGA152x8 (CH2, CH3)

DOC Number: <Doc>

Sch.FileName: SM2258XT-AA-G144_2p5_G152X16_D2_DB_V01

Date: Friday, July 13, 2017

Rev: 01A

Sheet: 5 of 7

NAND FLASH Mounting Guide

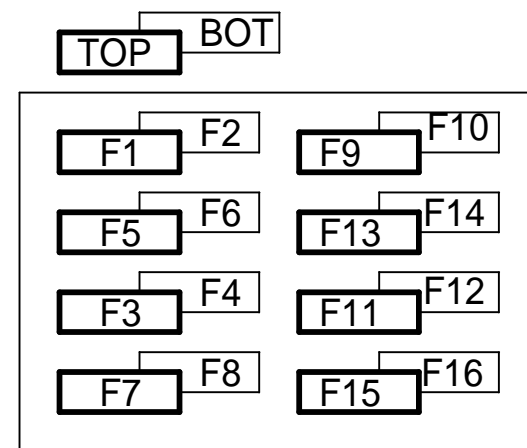
2.5INCH BGA152x16 NAND Flash Mounting Guide

NAND Flash Type	F1	F2	F3	F4	F5	F6	F7	F8	F9	F10	F11	F12	F13	F14	F15	F16	NF Config.	RCE1	RCE2	RCE3	RCE4	RCE5	RCE6	RCE7	RCE8	RCE9	RCE10	RCE11	RCE12	RCE13	RCE14	RCE15	RCE16	CE usage
Single CE flash x1	⊗	X	X	X	X	X	X	X	X	X	X	X	X	X	X	X	1CH/1CE	△	△	△	△	△	△	△	△	△	△	△	△	△	△	△	△	CE0
Single CE flash x2	⊗	⊗	X	X	X	X	X	X	X	X	X	X	X	X	X	X	2CH/1CE	△	△	△	△	△	△	△	△	△	△	△	△	△	△	△	△	CE0
Single CE flash x3	⊗	⊗	X	X	X	X	X	X	⊗	X	X	X	X	X	X	X	3CH/1CE	△	△	△	△	△	△	△	△	△	△	△	△	△	△	△	△	CE0
Single CE flash x4	⊗	⊗	X	X	X	X	X	X	⊗	⊗	X	X	X	X	X	X	4CH/1CE	△	△	△	△	△	△	△	△	△	△	△	△	△	△	△	△	CE0
Single CE flash x8	⊗	⊗	X	X	⊗	⊗	X	X	⊗	⊗	X	X	⊗	⊗	X	X	4CH/2CE	△	△	△	△	△	△	△	△	△	△	△	△	△	△	△	△	CE0,CE4
Single CE flash x16	⊗	⊗	⊗	⊗	⊗	⊗	⊗	⊗	⊗	⊗	⊗	⊗	⊗	⊗	⊗	⊗	4CH/4CE	△	△	△	△	△	△	△	△	△	△	△	△	△	△	△	△	CE0,CE2,CE4,CE6
Dual CE flash x1	⊗	X	X	X	X	X	X	X	X	X	X	X	X	X	X	X	2CH/1CE	X	⊗	△	△	△	△	△	△	△	△	△	△	△	△	△	△	CE0
Dual CE flash x2	⊗	⊗	X	X	X	X	X	X	X	X	X	X	X	X	X	X	2CH/2CE	⊗	X	△	△	△	△	△	△	△	△	△	△	△	△	△	△	CE0,CE1
Dual CE flash x2	⊗	X	X	X	X	X	X	X	⊗	X	X	X	X	X	X	X	4CH/1CE	X	⊗	X	⊗	△	△	△	△	△	△	△	△	△	△	△	△	CE0
Dual CE flash x4	⊗	⊗	X	X	X	X	X	X	⊗	⊗	X	X	X	X	X	X	4CH/2CE	⊗	X	⊗	X	△	△	△	△	△	△	△	△	△	△	△	△	CE0,CE1
Dual CE flash x8	⊗	⊗	X	X	⊗	⊗	X	X	⊗	⊗	X	X	⊗	⊗	X	X	4CH/4CE	⊗	X	⊗	X	△	△	△	△	△	△	△	△	△	△	△	△	CE0,CE1,CE4,CE5
Dual CE flash x16	⊗	⊗	⊗	⊗	⊗	⊗	⊗	⊗	⊗	⊗	⊗	⊗	⊗	⊗	⊗	⊗	4CH/8CE	⊗	X	⊗	X	△	△	△	△	△	△	△	△	△	△	△	CE0,CE1,CE2,CE3 CE4,CE5,CE6,CE7	
Quad CE flash x1	⊗	X	X	X	X	X	X	X	X	X	X	X	X	X	X	X	2CH/2CE	X	⊗	△	△	X	⊗	△	△	△	△	△	△	△	△	△	△	CE0,CE2
Quad CE flash x2	⊗	⊗	X	X	X	X	X	X	X	X	X	X	X	X	X	X	2CH/4CE	⊗	X	△	△	⊗	X	△	△	△	△	△	△	△	△	△	△	CE0,CE1,CE2,CE3
Quad CE flash x2	⊗	X	X	X	X	X	X	X	⊗	X	X	X	X	X	X	X	4CH/2CE	X	⊗	X	⊗	X	⊗	X	⊗	△	△	△	△	△	△	△	△	CE0,CE2
Quad CE flash x4	⊗	⊗	X	X	X	X	X	X	⊗	⊗	X	X	X	X	X	X	4CH/4CE	⊗	X	⊗	X	⊗	X	⊗	X	△	△	△	△	△	△	△	△	CE0,CE1,CE2,CE3
Quad CE flash x8	⊗	⊗	X	X	⊗	⊗	X	X	⊗	⊗	X	X	⊗	⊗	X	X	4CH/8CE	⊗	X	⊗	X	⊗	X	⊗	X	△	△	△	△	△	△	△	△	CE0,CE1,CE2,CE3 CE4,CE5,CE6,CE7
8 CE flash x1	⊗	X	X	X	X	X	X	X	X	X	X	X	X	X	X	X	2CH/4CE	X	⊗	X	⊗	X	⊗	X	⊗	△	△	△	△	△	△	△	△	CE0,CE2,CE4,CE6
8 CE flash x2	⊗	X	X	X	X	X	X	X	⊗	X	X	X	X	X	X	X	4CH/4CE	X	⊗	X	⊗	X	⊗	X	⊗	X	⊗	X	⊗	X	⊗	X	⊗	CE0,CE2,CE4,CE6
8 CE flash x4	⊗	⊗	X	X	X	X	X	X	⊗	⊗	X	X	X	X	X	X	4CH/8CE	⊗	X	⊗	X	⊗	X	⊗	X	⊗	X	⊗	X	⊗	X	⊗	X	CE0,CE1,CE2,CE3 CE4,CE5,CE6,CE7

M1023A

⊗	Install
X	un-install
△	Don't care (it is fine if resistor mousing or not.)

TOP View For Flash PCB Placement



CH0 / CH1: F1 ~ F8

CH2 / CH3: F9 ~ F16

Silicon Motion, INC.

PageTitle: NF_Mounting_Guide

DOC.Number: <Doc>

Sch.FileName: SM2256G-AA-G336_2p5_G152X16_D2_DB_V01

Date: Friday, July 14, 2017

Rev: 01A

Sheet: 7 of 7